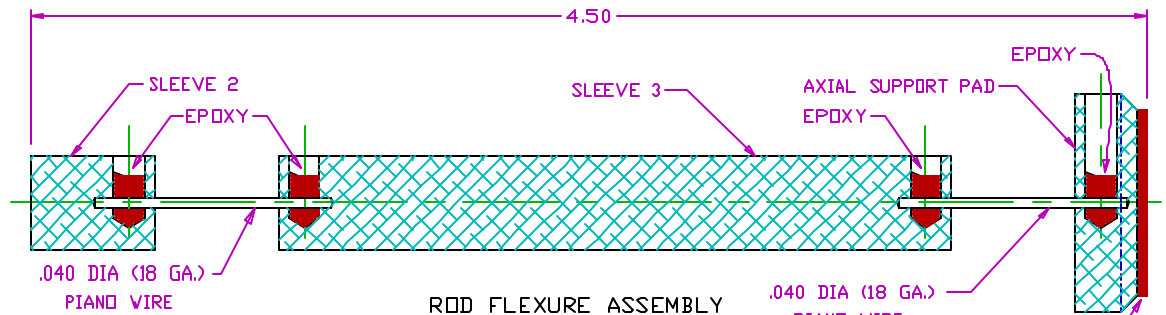


.051 DIA (16 GA.)  
PIANO WIRE

**TRI-PLATE PIVOT FLEXURE ASSEMBLY**

7,800 REQ'D



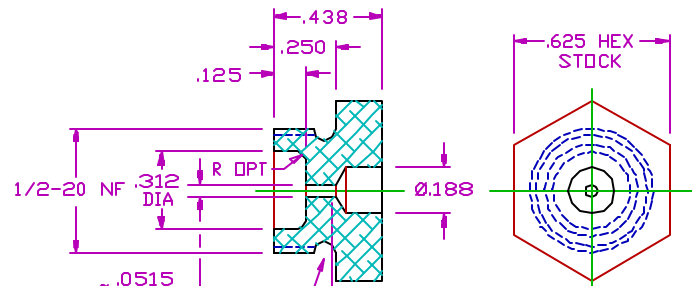
.040 DIA (18 GA.)  
PIANO WIRE

**ROD FLEXURE ASSEMBLY**

23,400 REQ'D

.040 DIA (18 GA.)  
PIANO WIRE

.040 X .75 DIA SILICONE PAD



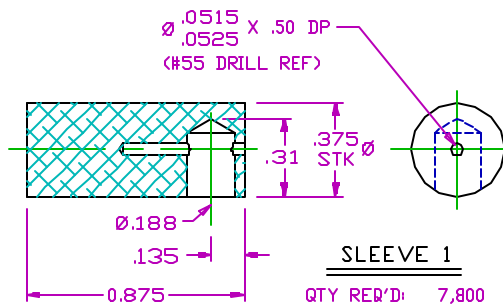
.0515  
x .0525  
(#55 DRILL REF)

THI RELIEF AT SHOP OPTION

.20  
(TO DRILL PT)

**BUSHING**

QTY REQ'D: 7,800  
MAT'L: 6061-T6 ALUM.



.0515 x .50 DP  
.0525  
(#55 DRILL REF)

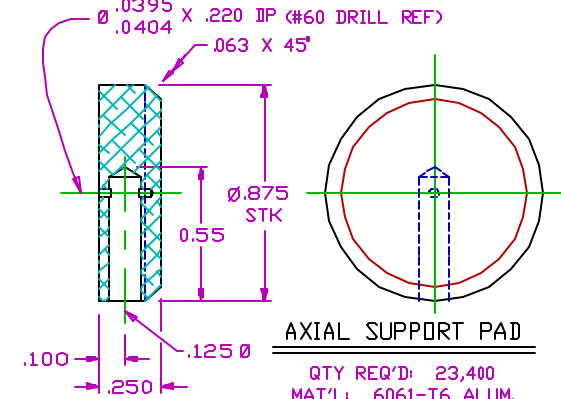
.188

.135

0.875

**SLEEVE 1**

QTY REQ'D: 7,800  
MAT'L: 6061-T6 ALUM.



.0395 x .220 DP (#60 DRILL REF)  
.0404

.063 x 45°

.0875

.55

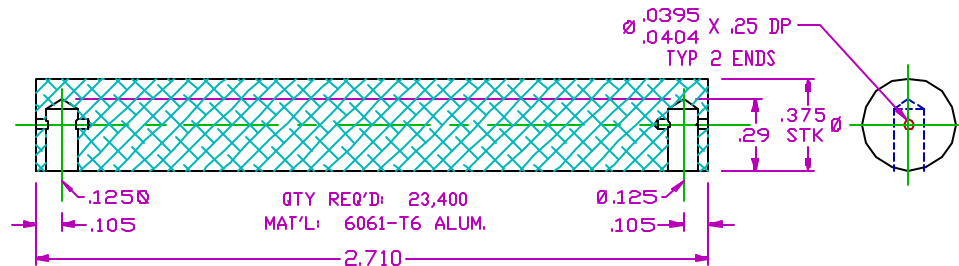
.100

.125

.250

**AXIAL SUPPORT PAD**

QTY REQ'D: 23,400  
MAT'L: 6061-T6 ALUM.



.0395 x .25 DP  
.0404  
TYP 2 ENDS

.375 STK

.29 STK

.125

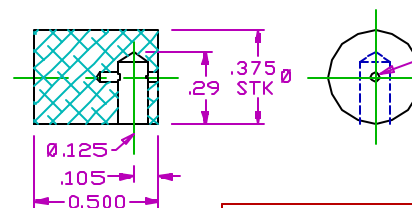
.105

.105

.105

QTY REQ'D: 23,400  
MAT'L: 6061-T6 ALUM.

**SLEEVE 3**



.0395 x .25 DP  
.0404  
(#60 DRILL REF)

.375 STK

.29 STK

.125

.105

.105

**SLEEVE 2**

QTY REQ'D: 23,400  
MAT'L: 6061-T6 ALUM.

**CALIFORNIA  
EXTREMELY  
LARGE  
TELESCOPE**

CONCEPT DESIGN			
MIRROR SEGMENT SUPPORT SYSTEM			
DETAIL PART VIEWS			
SMG	03/08/01	SCALE	NO.
BY	DATE	2:1	CAD-6

AT THE MAIN SCALE FOR THIS SHEET  
THIS LINE IS 2.00 IN. LONG